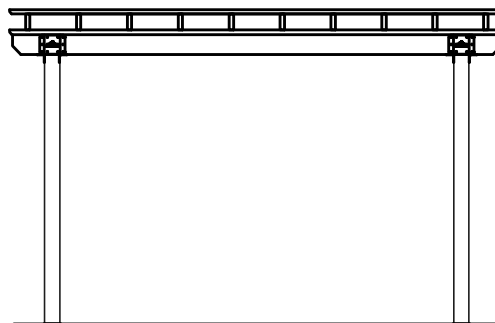


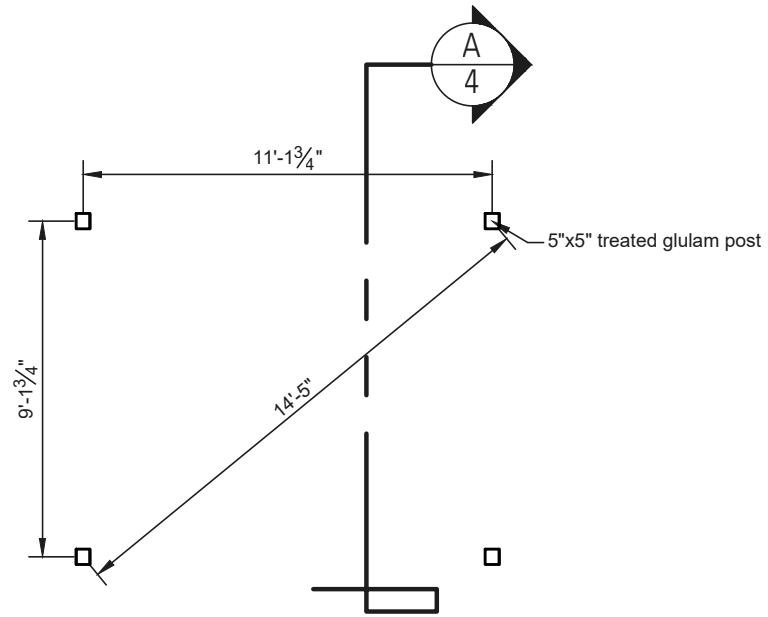
End Elevation

NTS



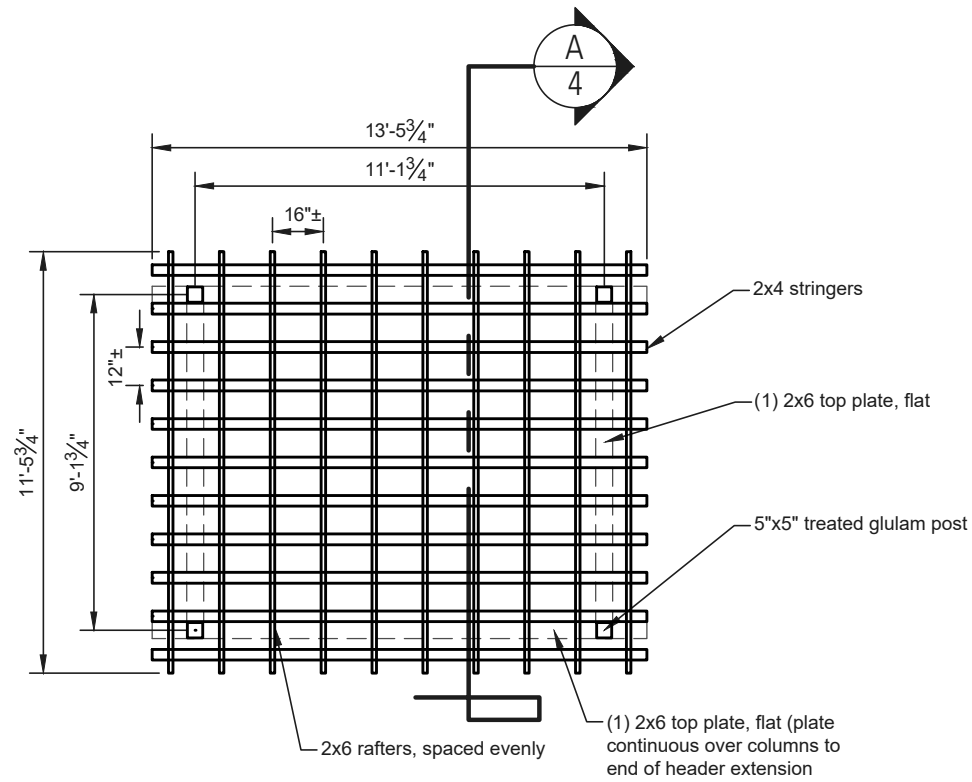
Side Elevation

NTS



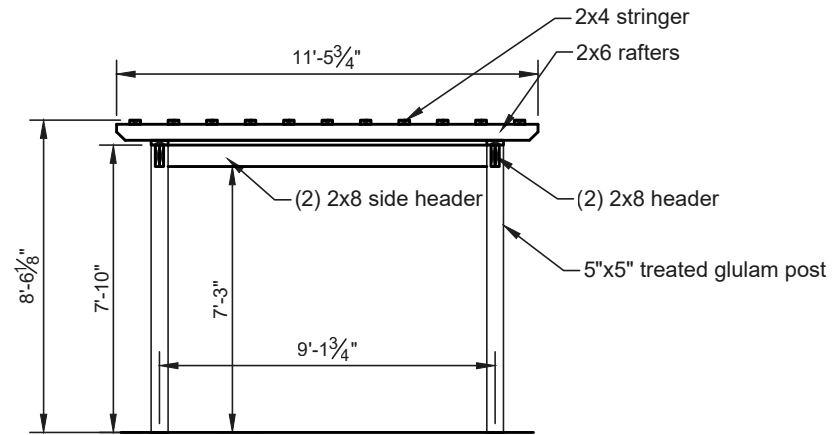
Post Layout Plan

NTS



Roof Framing Plan

NTS



Cross Section A/4

NTS