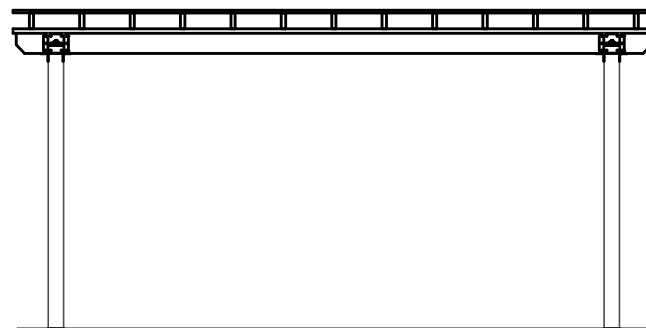


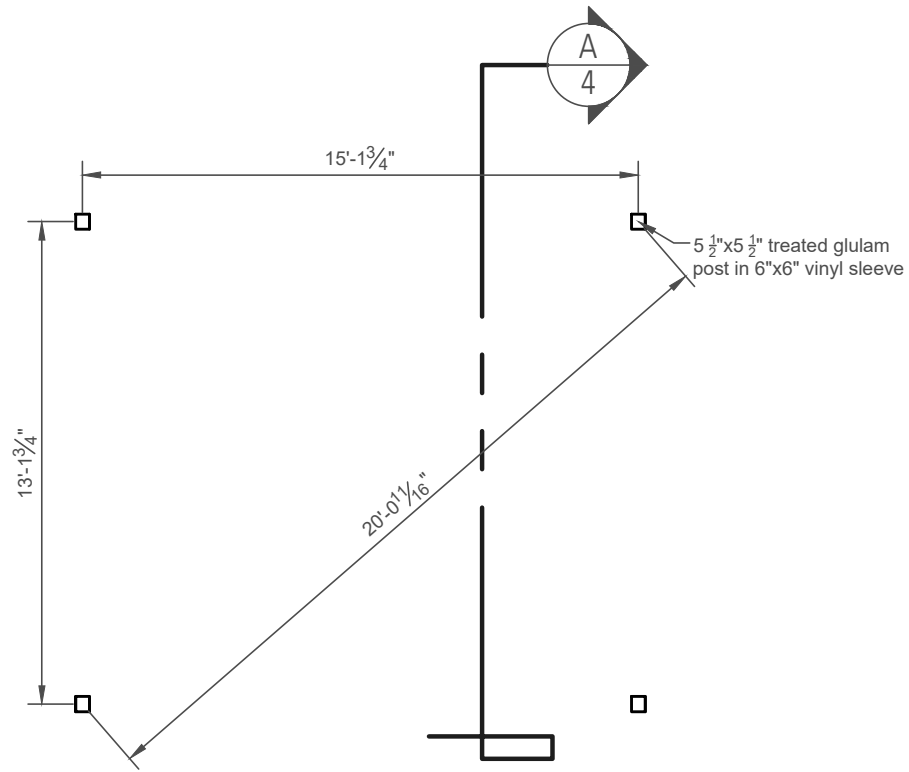
End Elevation

NTS



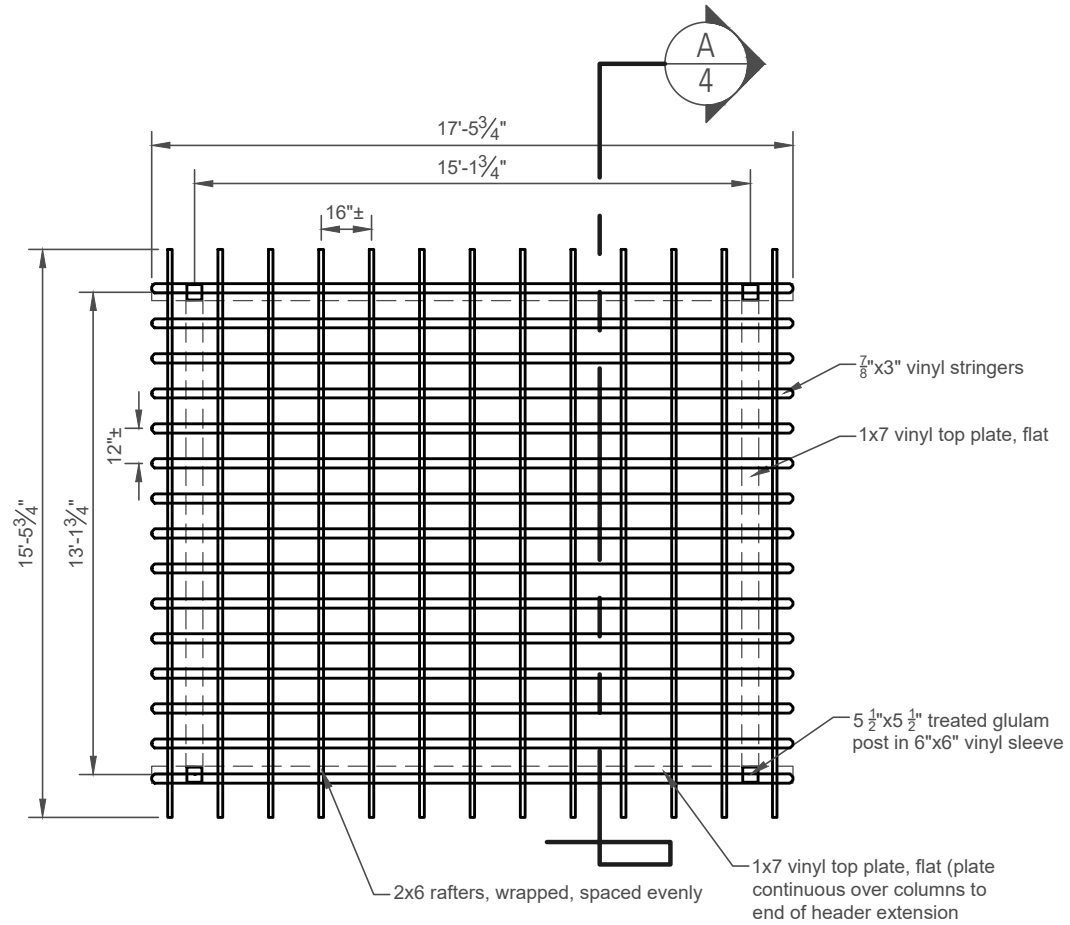
Side Elevation

NTS



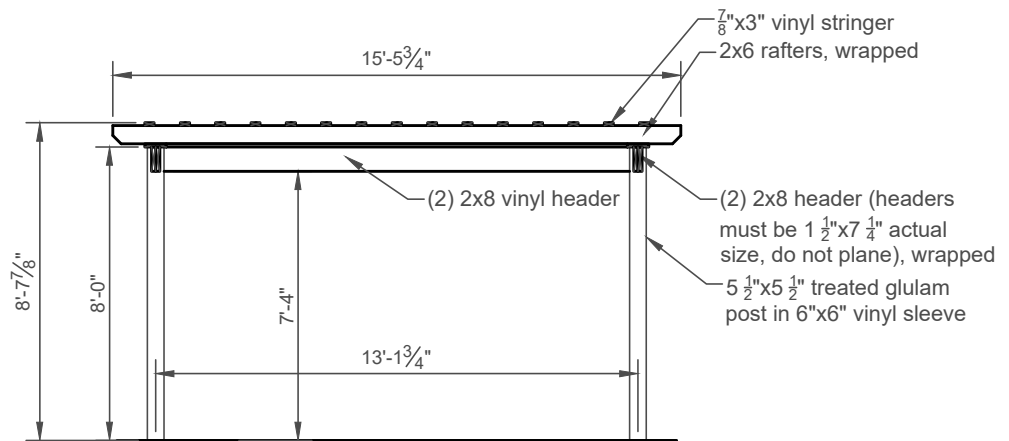
# Post Layout Plan

NTS



# Roof Framing Plan

NTS



# Cross Section A/4

NTS