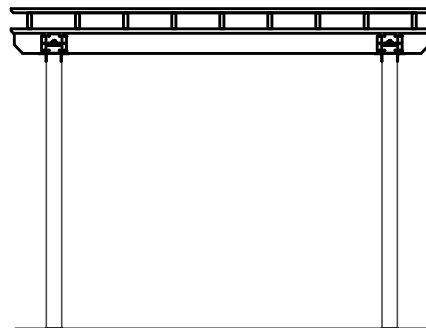


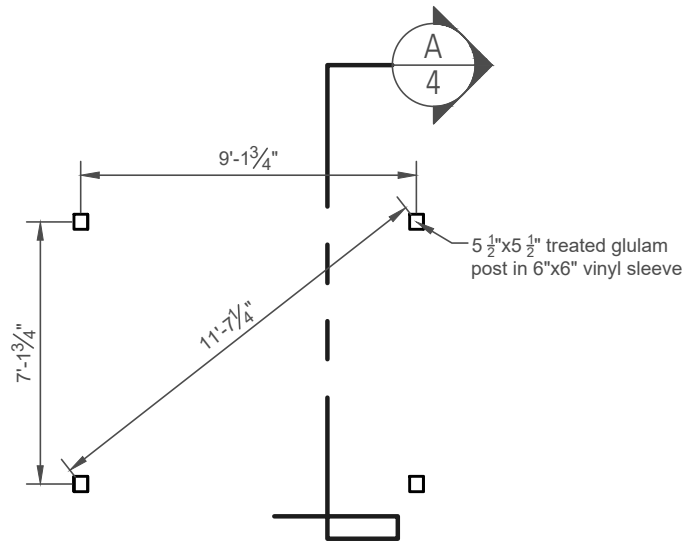
End Elevation

NTS



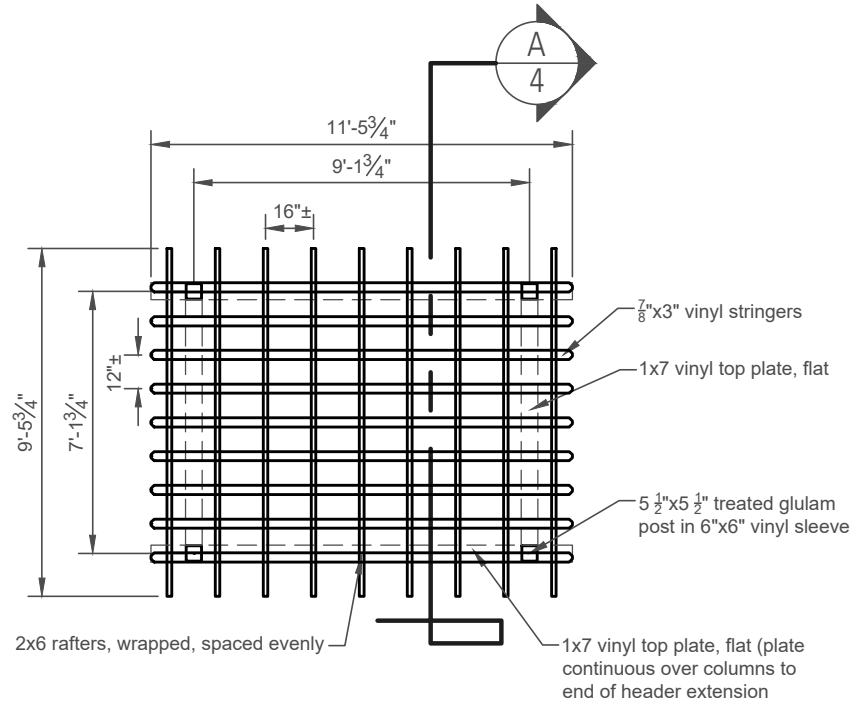
Side Elevation

NTS



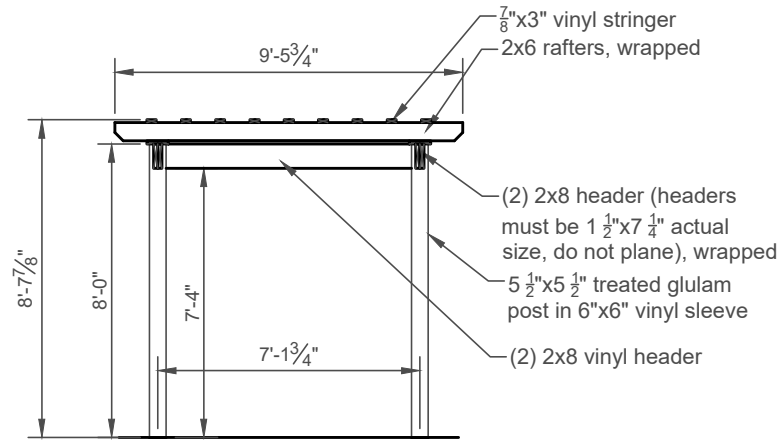
## Post Layout Plan

NTS



## Roof Framing Plan

NTS



# Cross Section A/4

NTS